

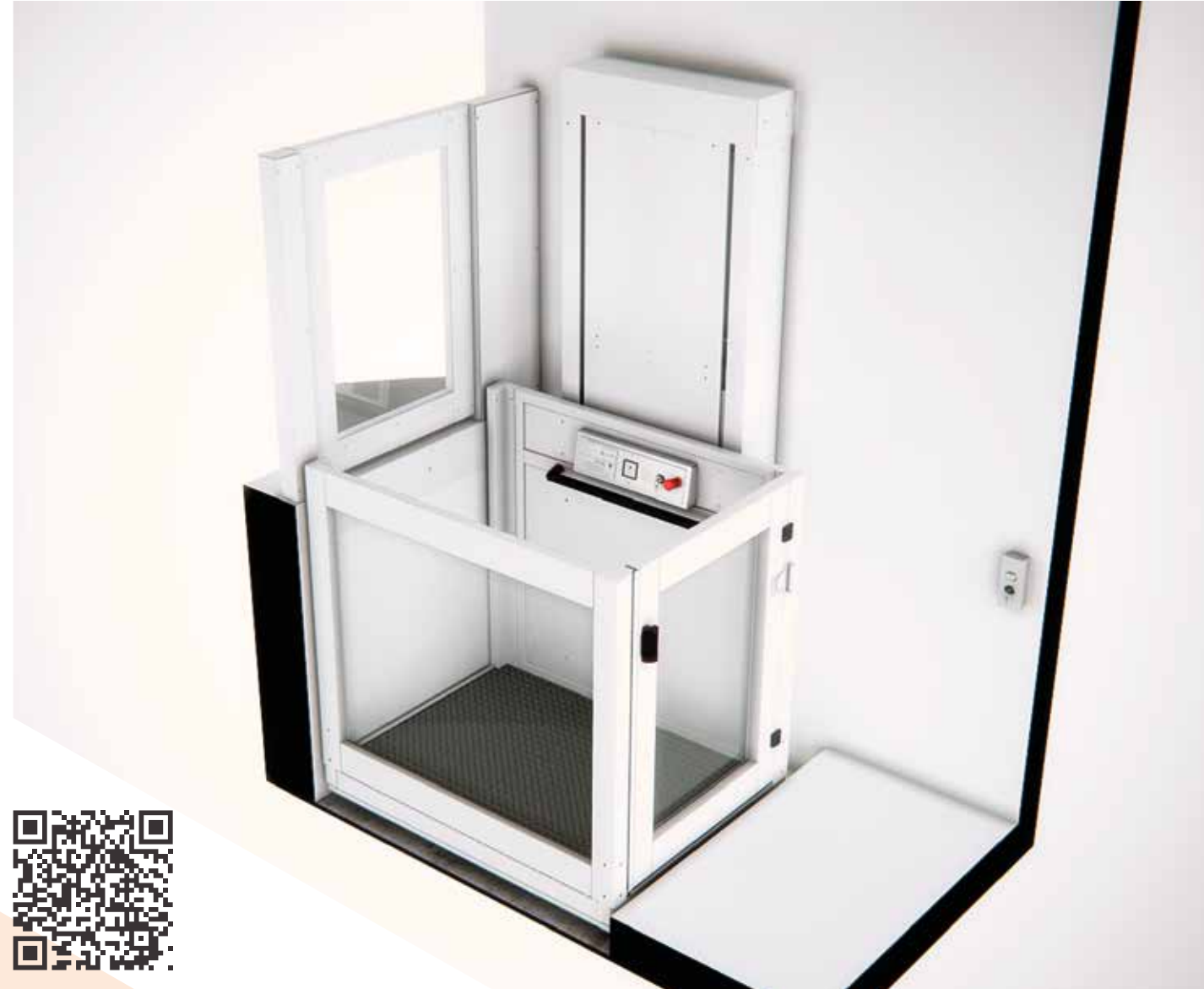
VERTICAL PLATFORM STEPLIFT

for People with Impaired Mobility

EXAMPLES OF USE:



Designed to help people with reduced mobility or using wheelchair to accede to low raises.



IF YOU SCAN THE QR,
YOU WILL BE ABLE TO
VISIT THE PRODUCT
AT OUR WEBSITE

Authorized Representative:



Ctra. Sevilla - Mairena del Alcor, km. 0,8
41500 Alcalá de Guadaíra, Seville, Spain

Ph. +34 955 634 649

email: eleser@eleser.es
www.eleser.es/en/

VERTICAL PLATFORM STEPLIFT

for People with Impaired Mobility



We Improve
your Quality of Life
with All Security



It helps people to accede to buildings with few steps at the entrance.
Designed taking care of every detail for being secure and functional.
Easy to assemble, it does not require major works.
Its maximum travel is 1.8 metres 5.91 feet, and can go until 2 stops.

MODELS:

- Standard RAL 7035 (for other colours please ask us)
- Weatherproof
- Shiny Inox
- Automatic door opening

MAIN ADVANTAGES:

- Silent
- Smooth starts & stops
- Easy installation (preassembled in the factory)
- Machine Roomless (electrical and hydraulic power units into the column)
- Emergency battery (it would go down in case of electrical power fail)
- Low electrical consumption: 0.75KW

APPLICABLE FOR:

- Elderly people
- Mobility impaired or physically disabled people
- User in wheelchair with its therapeutic companion
- User standing up alone or in a wheelchair

OPTIONS:

- Machinery cabinet

TECHNICAL FEATURES:

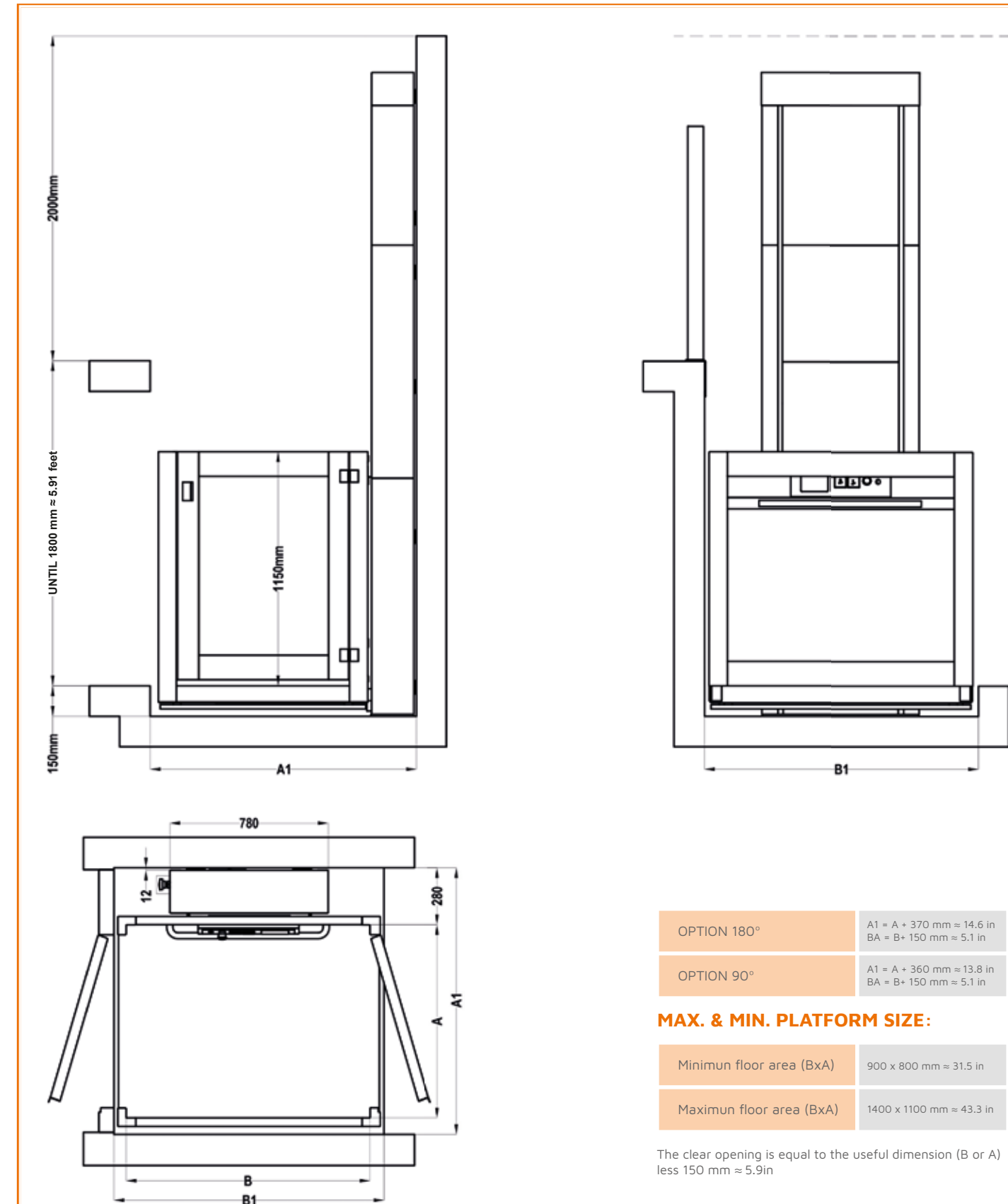
- Minimum floor area 900 ≈ 35.4in x 800mm ≈ 31.5in
- Maximum floor area 1400 ≈ 55.1 x 1100 mm ≈ 43.3in
- Standard speed 0.08 m/s ≈ 26.2ft/s (for others, please ask us)
- Non-slipping rubber floor
- Load capacity 300 Kg ≈ 661.4 lbs
- Landing and cabin control panels
- 1150mm ≈ 45.3 in panoramic cabin
- Minimum pit
- Minimum headroom at upper floor
- Domestic electrical power (one phase 230V)

SAFETY:

- Anti-crushing system (stops the platform when going down if faced to any barrier)
- Doors with security locks
- Anti-creep device (keeps the lift landing level for the cases of adrift when loading and unloading or oil leaks)
- Main circuit breaker
- Use restriction key
- Emergency stop button
- Hold-to-run button
- Automatic rescue system



PROJECT SIZES:



DETAILS:



DIRECTIVE & STANDARDS:

This product has been manufactured according to Machinery Directive 2006/42/EC.
The following Standards & Rules have been considered for its design and manufacture:
UNE-EN ISO 12100:2012
UNE-EN 81-41:2011